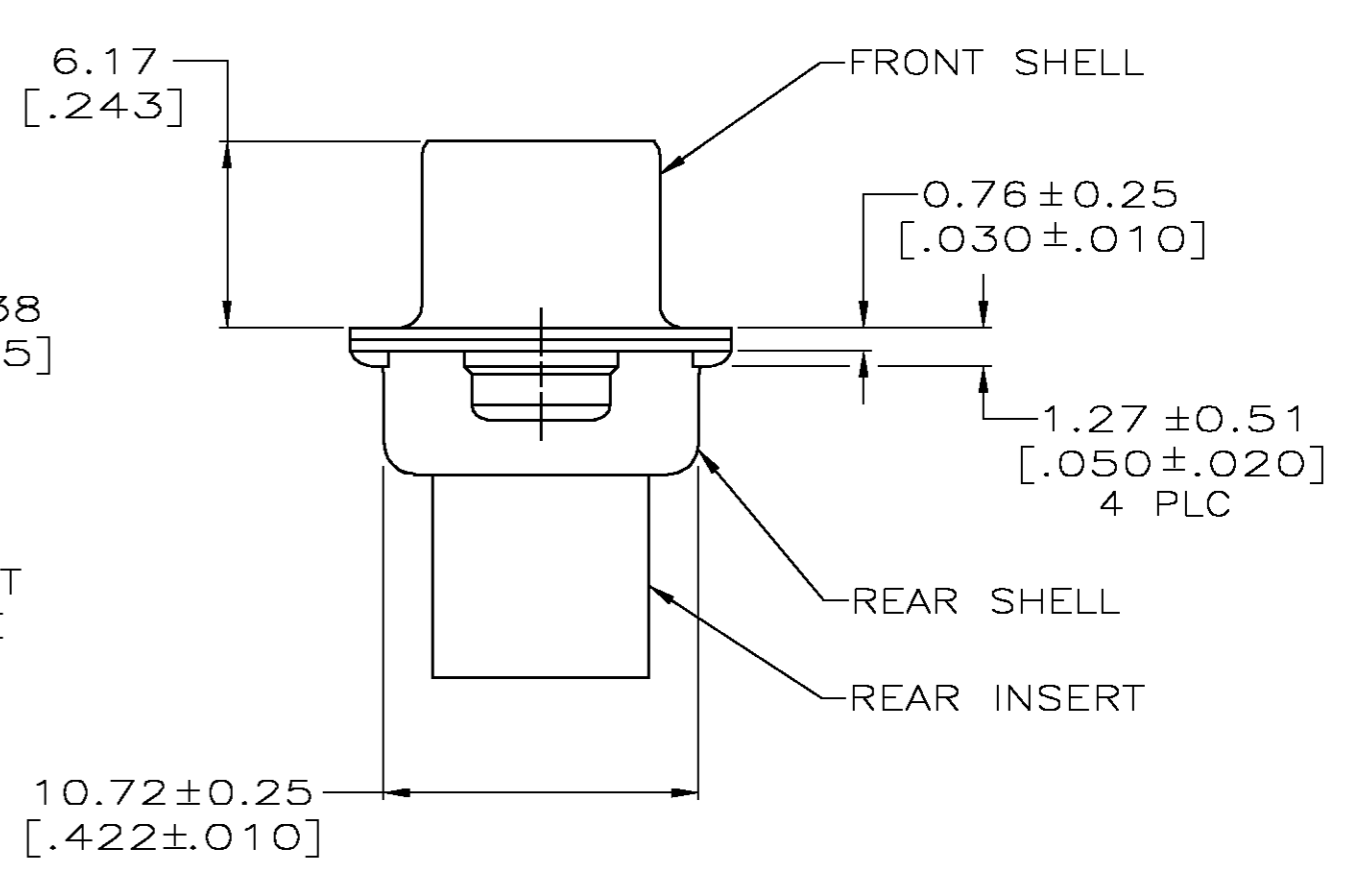
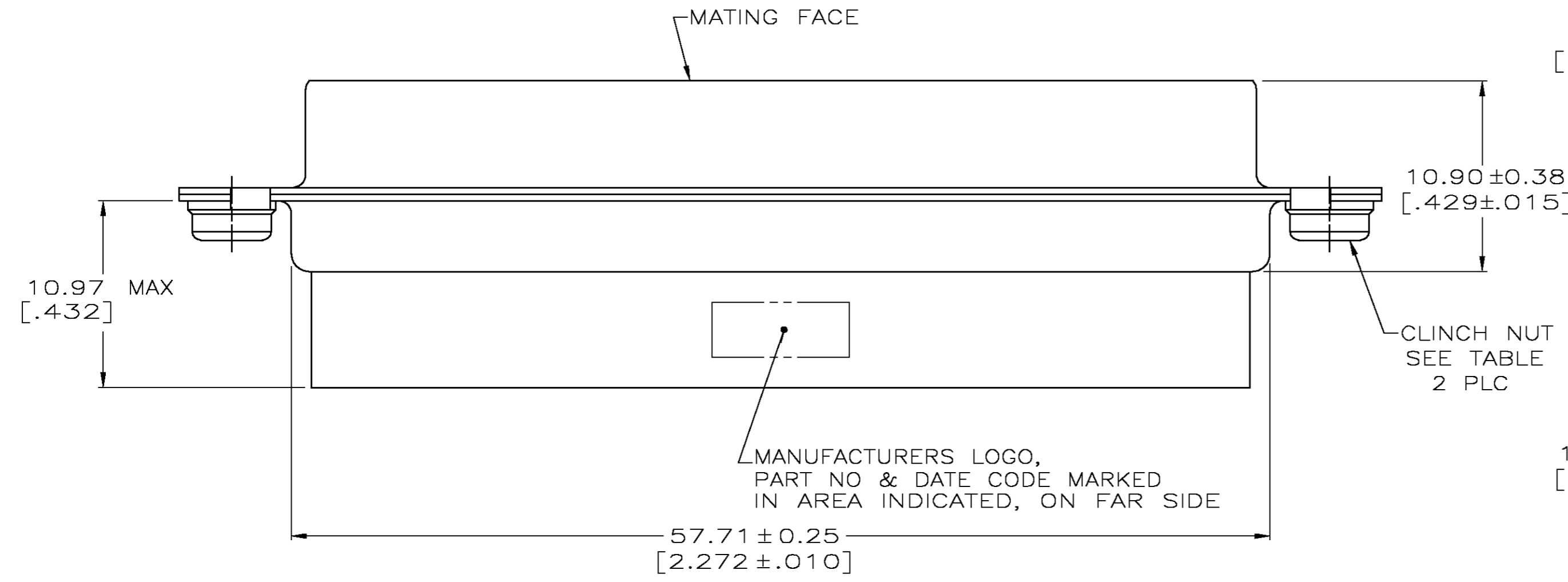
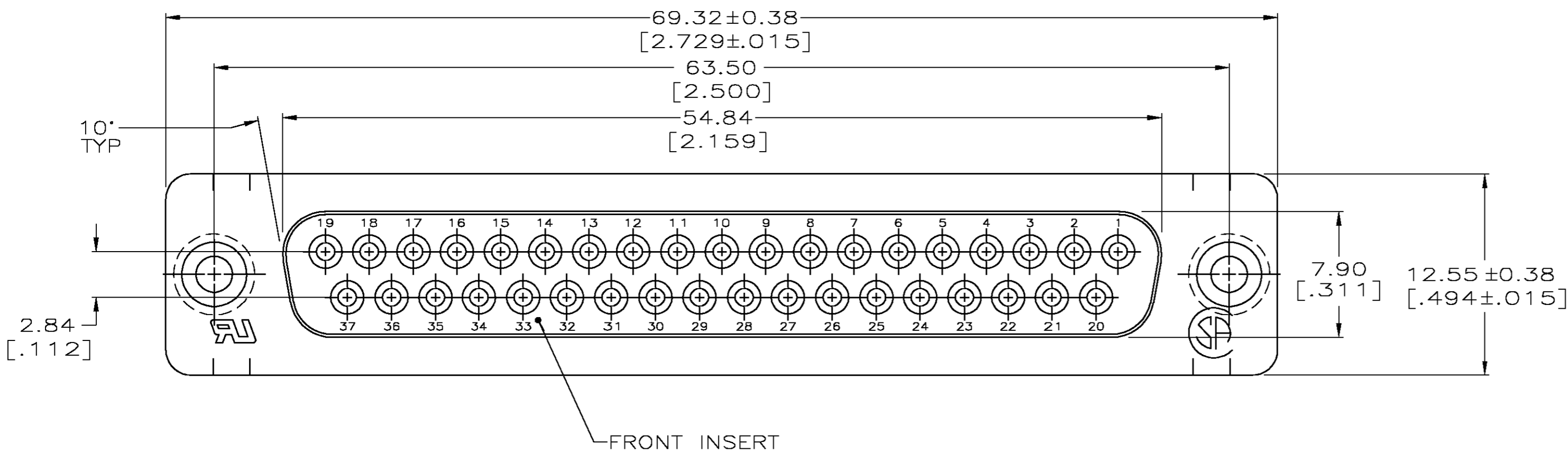


THIS DRAWING IS UNPUBLISHED. RELEASED FOR PUBLICATION
 © COPYRIGHT BY TYCO ELECTRONICS CORPORATION. ALL RIGHTS RESERVED.

LOC		DIST		REVISIONS			
P	LTR	DESCRIPTION	DATE	DWN	APVD		
0		RELEASED PER EC 0S13-0257-04	11-10-04	GA	JG		



1. CONNECTOR ACCEPTS SIZE 20 DF SOCKET CONTACTS, RETENTION TINES ARE AN INTEGRAL PART OF INSERT.
2. MOLDED PARTS: NYLON OR POLYESTER, UL 94V-0 RATED, BLACK. CLINCH NUTS & SHELLS: CARBON STEEL PER ASTM A109.
3. 5.08 μm [.000200] MIN TIN OVER 2.54 μm [.000100] MIN COPPER.
4. .068 MAX DIA WIRE INSULATION SIZE IS RECOMMENDED FOR USE WITH THIS RECEPTACLE.
5. CLEAR CHROMATE OVER ZINC.

3	5	4-40	5207661-3
SHELL FINISH	CLINCH NUT FINISH	CLINCH NUT THREAD TYPE	PART NO
THIS DRAWING IS A CONTROLLED DOCUMENT.		DWN G. ATTADIA - DOCK5 11-10-04	Tyco Electronics Corporation Harrisburg, PA 17105-3608
		CHK J. GERACE 11-10-04	
DIMENSIONS: INCHES		APVD M. WALMSLEY 11-10-04	NAME RECEPTACLE CONNECTOR, SIZE 4, 37 POSN, WITH CLINCH NUTS, AMPLIMITE HDP
TOLERANCES UNLESS OTHERWISE SPECIFIED:		PRODUCT SPEC 108-40005	
0 PLC ± -		APPLICATION SPEC 114-40030	SIZE A2
1 PLC ± -		WEIGHT -	CAGE CODE 00779
2 PLC ± 0.13 [.005]		FINISH SEE TABLE	DRAWING NO C=5207661
3 PLC ± -			RESTRICTED TO -
4 PLC ± -		CUSTOMER DRAWING	
ANGLES ± 2		SCALE 4:1	SHEET 1 OF 1
FINISH		REV 0	